

## Telecom OC48 Oscillator

- 622.08 MHz Osc
- Low Phase Noise
- LVDS Output

## Applications

- SDH / SONET
- Digital Switching
- Test Equipment
- Cellular Telephony
- Land Mobile Radio

Series **CC622V**



Part Numbering Example: CC622V Z

| Specifications:  | Min         | Typ                | Max   | Unit                 |
|--|-------------|--------------------|-------|----------------------|
| Frequency Range:   |             | 622.08             |       | MHz                  |
| Available Stability Options:   | -50         |                    | 50    | ppm                  |
| Supply Voltage:  | 3.135       | 3.3                | 3.465 | V                    |
| Operating Temperature Range Options:   | -10         |                    | 85    | °C                   |
| Storage Temperature:   | -55         |                    | 125   | °C                   |
| Duty Cycle:  | 45          |                    | 55    | %                    |
| Start-Up Time:   |             | 3                  | 10    | mS                   |
| Aging (PPM/1st Year):<br>Ta=25C, Vdd=3.3V  |             |                    | ±5    |                      |
| Static Discharge Voltage<br>Mil-Std 883, method 3015                                     | 2000        |                    |       | V                    |
| Supply Current   |             |                    | 80    | mA                   |
| Short Circuit Current  |             | ± 50               |       | mA                   |
| <b>Jitter</b><br>Period, RMS<br>Period, Peak to Peak<br>Accumulated, RMS<br>Peak to Peak |             | 4<br>25<br>7<br>45 |       | pS<br>pS<br>pS<br>pS |
| Phase Noise<br>@ 1KHz Offset   |             | -125               |       | dBc/Hz               |
| <b>Output Level:</b>   | LVDS        |                    |       |                      |
| <b>Packaging:</b>  | Tape & Reel |                    |       |                      |

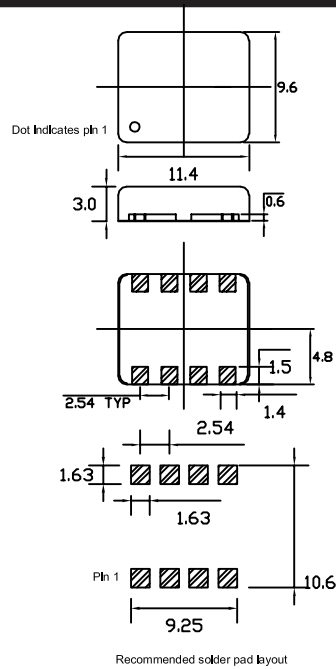
Notes: Extended exposure exceeding maximum ratings may cause permanent damage and affect reliability. Operation outside of specifications is not supported.

**Cardinal Components, Inc., 155 Rt. 46 W, Wayne, NJ. 07470 TEL: (973)785-1333 FAX: (973)785-0053**  
<http://www.cardinalxtal.com> E-Mail: [cardinal@cardinalxtal.com](mailto:cardinal@cardinalxtal.com)

Specifications subject to change without notice. Check website for latest updates



CC622V

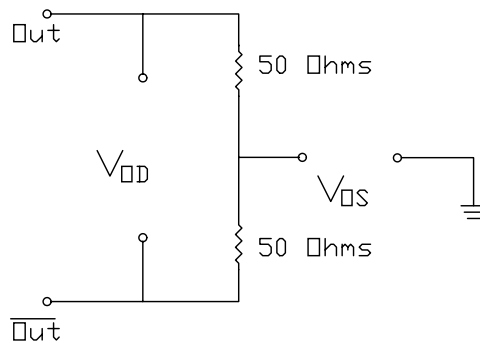


| PIN | FUNCTION |
|-----|----------|
| 1   | OE       |
| 2   | N/C      |
| 3   | N/C      |
| 4   | GND      |
| 5   | LVDS +   |
| 6   | LVDS -   |
| 7   | N/C      |
| 8   | Vdd      |

DIMENSIONS ARE IN MM

LEVELS TEST CIRCUIT

LVDS Levels Test Circuit



SWITCHING TEST CIRCUIT

LVDS Switching Test Circuit

